

Technical data sheet

DSP 9911-AH-230V dosing pump

The DSP 9911-AH-230V is a high quality panel-mount pump with a synchronous motor (AC motor).

The high quality design of this pump enables 100% duty cycle operation and ensures a long service life.

Features:

- No mechanical non-return device
- Double ball-bearing rotor drive shaft
- Gearing specially optimised for the peristaltic pump



Performance data	Flow rate*:	50 ml/min (3 l/h)
	Max. back pressure*:	0.5 bar
	Duty cycle:	100% D
	* determined with water at 20 °C	
Electrical data	Operating voltage:	230 V AC
	Input current:	21 mA
	Input power:	4.9 VA
	Protection class:	IP 00
Mechanical data	Dimensions:	90 x 100 x 64 mm
	Weight:	420 g
	Pump tube:	PS 140 PH
	Tube connections:	6 mm internal diameter, alternatively 4x1 – 5x1.5

Ambient conditions

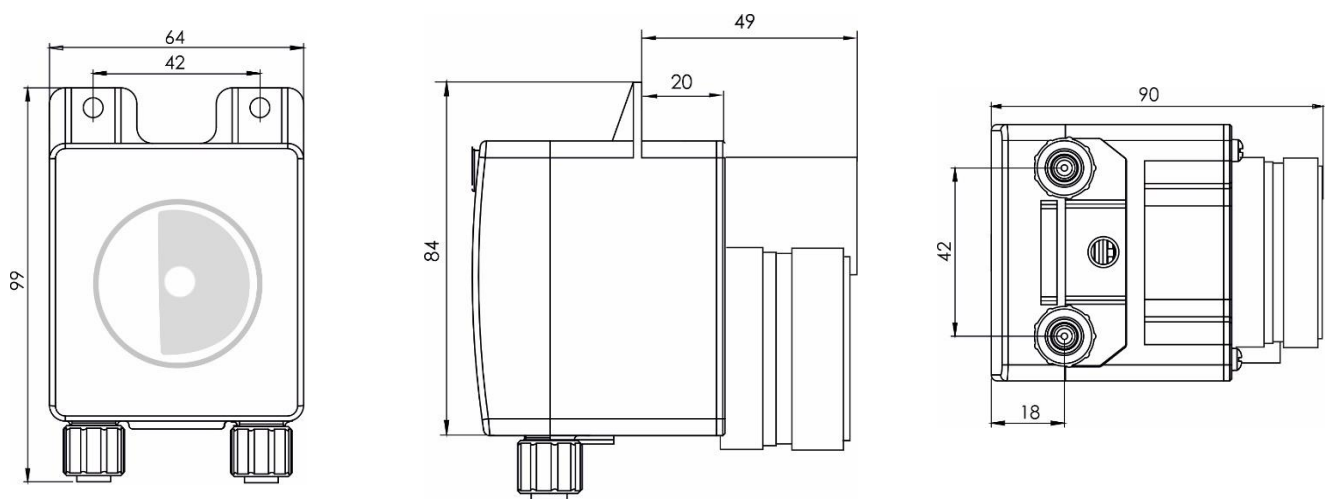
Ambient temperature range:

+5 ... +50 °C

Environmental stress:

Conforms to DIN EN 60068-2-38

Dimensions



The DSP 9911-AH-230V dosing pump is an OEM pump for integration into machinery and equipment. Subject to quantity ordered, the pump can be customised.

The following parameters can be defined:

- Flow rate (via pump tube)
- Pump tube material and dimension
- Tube connection