

Technical data sheet

DSP 9911-SM Modbus

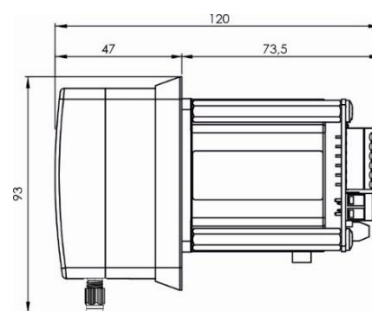
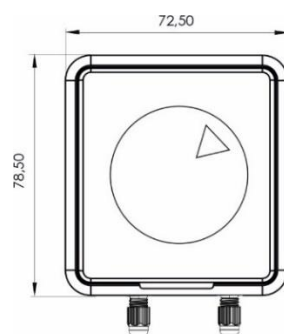
Microprocessor-controlled dosing pump with high-precision stepper motor drive and adjustable speed.

The speed is specified via Modbus.



Performance data	Flow rate*:	2000 ml/h – 40 rpm PS 138 3.2x1.6 PH 500 ml/h – 40 rpm PS 138-1.6x1.6 PH
	Control:	Modbus
	Duty cycle:	100%/h
	* determined with water at 20 °C	
Electrical data	Supply voltage:	24 ... 32 V DC
	Max. input current:	500 mA
	Protection class:	IP 00
Mechanical data	Dimensions:	73 x 73 x 120 mm
	Weight:	approx. 500 g
Ambient conditions	Ambient temperature range:	+5 ... +50 °C
	Environmental stress:	Conforms to DIN EN 60068-2-38

Dimensions



Products

Pump

Art. no.	Designation
1002799	DSP 9911-SM Modbus