

# Technical data sheet

## CTLOG 2013 sensor coupling module

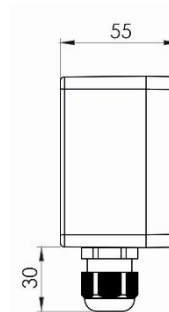
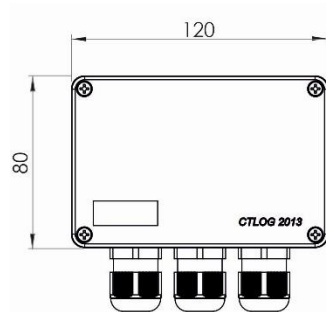
The CTLOG 2013 sensor coupling module connects water meters, conductivity sensors and temperature sensors to the following SAIER devices:

- PSD Pro / PSD System
- PDG 2806 / PDG 2906
- DSPset 2602
- DC 2418 Dosingcomputer



<b>Electrical data</b>	Operating voltage:	12 ... 24 V DC
	Input power:	0.15 W
	Bus:	RS-485 (SD bus)
<b>Mechanical data</b>	Dimensions:	120 x 80 x 55 mm
	Weight:	200 kg
	Protection class:	IP 65
	Ambient temperature range:	0 ... +50 °C

### Dimensions



Product	Art. no.	Designation
	16505	CTLOG 2013 sensor coupling module
<b>Sensors</b>	1000705	Conductivity sensor tank ILFS 02 (inductive)
	1002834	Conductivity sensor pipe ILFD 03 (inductive)
	14001	Conductivity electrode EE 10-G3/8 (conductive)
	26002	Temperature sensor 26002
<b>Flow meter</b>	1002619	Flow meter DFM-Ms-N $\frac{3}{4}$ (0.5 - 50 L/min)
	1002620	Flow meter DFM-Ms-N $\frac{3}{4}$ (0.8 - 80 L/min)