

Technical data sheet

Dosing pump DSP 1501

The DSP 1501 dosing pump is a high quality OEM peristaltic pump with a very compact, flat design. Available with or without speed control electronics.

The following versions are available:

- Without mounting frame
- With mounting frame



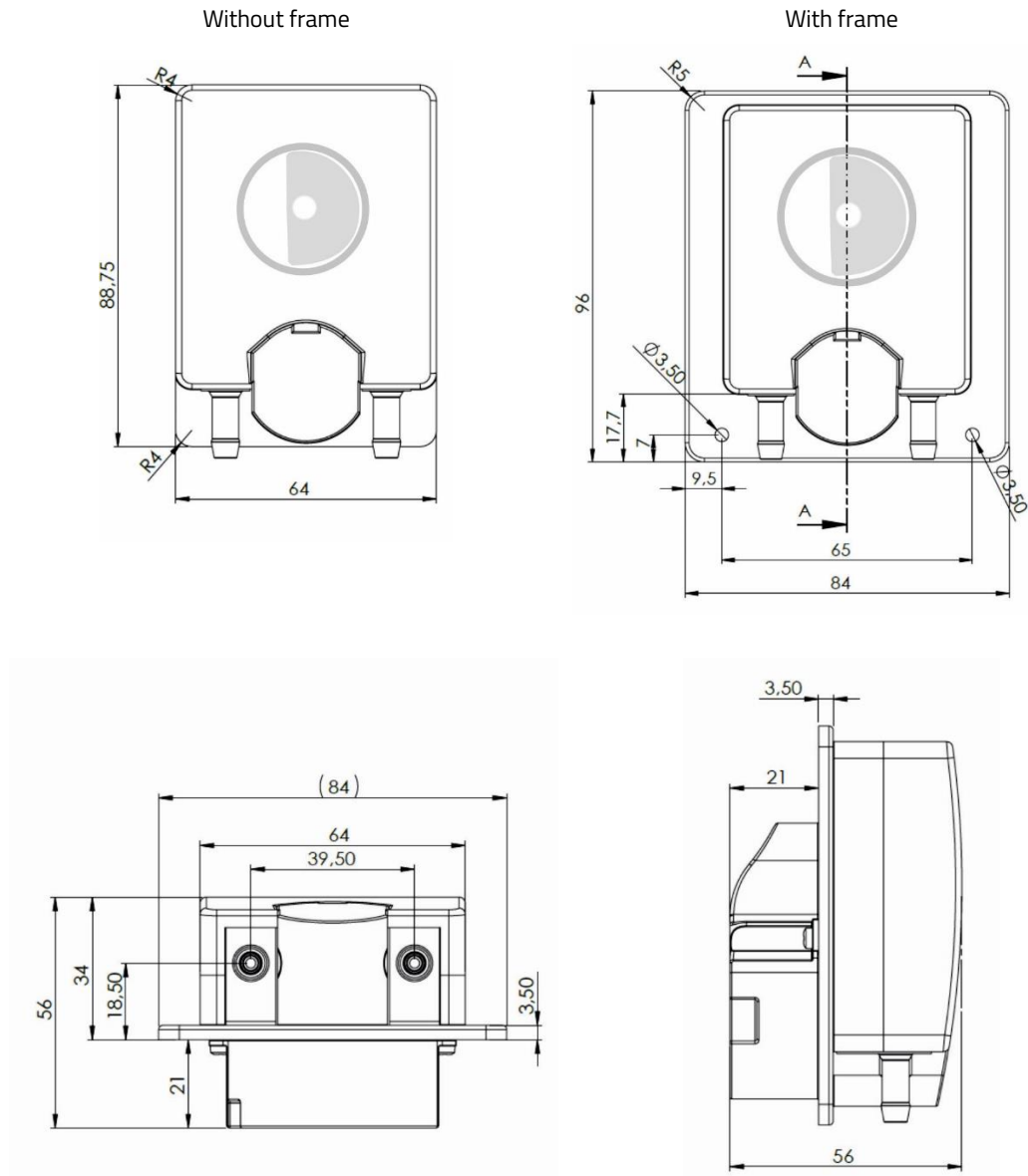
Performance data	Max. flow rate*:	120 ml/min
	Max. back pressure*:	1.5 bar
	Speed with control electronics:	Fixed speed 5 ... 50 rpm Factory setting according to specification
	Speed without control electronics:	60 rpm
	Configuration:	Fixed speed
	Duty cycle:	100%/h
	* determined with water at 20 °C	
Electrical data	Supply voltage:	24 V DC
	Input current:	200 mA
	Input power:	4.8 VA
	Protection class:	IP 65
Mechanical data	Dimensions:	64 x 89 x 56 mm (without frame) 84 x 96 x 56 mm (with frame)
	Weight:	180 g
	Material:	PP-GF
	Pump tube:	PS 140-4.8x1.6 PH or others

Ambient conditions

Ambient temperature range:
Environmental stress:

+5 ... +50 °C
Conforms to DIN EN 60068-2-38

Dimensions



The DSP 1501 is an OEM pump for integration into machinery and equipment. Subject to quantity ordered, the pump can be customised. The following parameters can be defined:

- Flow rate
- Speed
- Pump tube material and dimension
- Tube connection