

# Technical data sheet

## Inductive conductivity sensor ILFD 03

Inductive conductivity sensor for measuring the conductivity and temperature of liquids in pipes.

The following versions are available:

- Open collector (frequency mode)
- Open collector (data mode)



<b>Performance data</b>	Measurement range:	0.2 ... 150 mS/cm
	Measurement error:	0.2 ... 1 mS/cm (+20%/-10%)
		1 ... 150 mS/cm (±5%) mS/cm
	Resolution:	0.2 ... 2 mS/cm (3% of measured value)
		2 ... 150 mS/cm (< 1% of measured value)
	Reproducibility:	0.2 ... 2 mS/cm (> 99% of measured value)
		2 ... 150 mS/cm (> 97% of measured value)
	Frequency range:	0.44 ... 12.24 kHz (in frequency mode)
	Operating pressure:	3 bar
Calibration:	Not required by the customer (factory calibration)	
Sensor type:	Active (with integrated evaluation electronics)	
<b>Electrical data</b>	Supply voltage:	5 ... 24 V DC
	Max. input current:	15 mA
<b>Mechanical data</b>	Dimensions:	87 x 62.5 x 81 mm
	Weight:	150 kg
	Protection class:	IP 65
	Material:	Polypropylene

## Mechanical data

Maximum cable length:

Frequency mode 20 m

Data mode 100 m

Pipe connection:

3/4"

## Ambient conditions

Ambient temperature range:

+5 ... +55 °C

Temperature range of medium:

+10 ... +60 °C

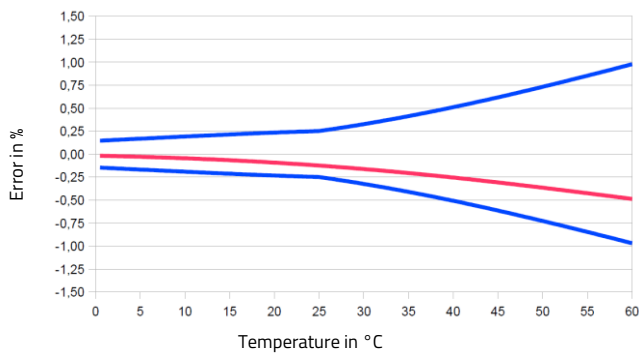
Environmental stress:

Conforms to DIN EN 60068-2-38

Compatibility:

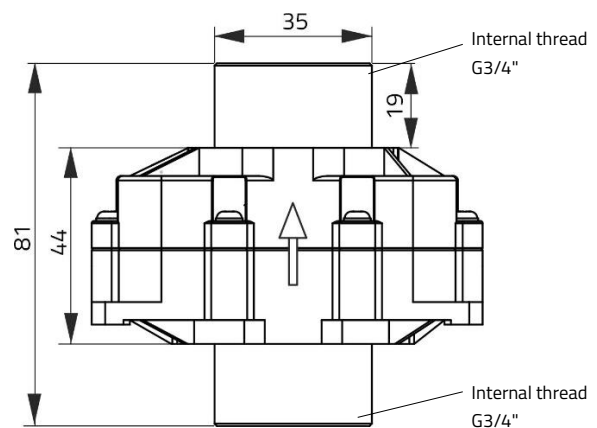
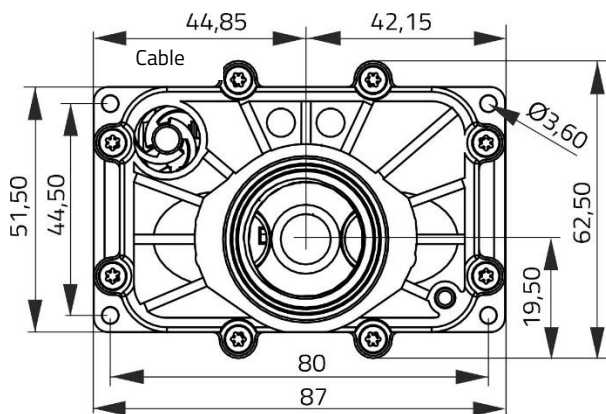
Low-concentration acids, alkalis and chlorine products

## Characteristic curve, temperature measurement error range



Blue line: Max. possible error  
Red line: Typical error curve

## Dimensions



## Products

### Art. no.

### Designation

1002834	ILFD 03 open collector (data mode) with 0.7m cable (moulded on)
1004754	ILFD 03 open collector (frequency mode) with 0.7m cable (moulded on)
1004712	ILFD03 open collector (frequency mode) with 2m cable (moulded on)

## Accessories

1003143	Adapter set 3/4 to 3/8 PVC grey
1003142	Adapter set 3/4 to 1/4 PVC grey
1003144	Adapter set 3/4 to 1/2 PVC grey