

# Technical data sheet

## Inductive conductivity sensor ILFS 02

Inductive conductivity sensor measures the conductivity and temperature of liquids.

Suitable for in-tank installation.

The following versions are available:

- Frequency mode (analogue signal)
- Data mode (digital signal)

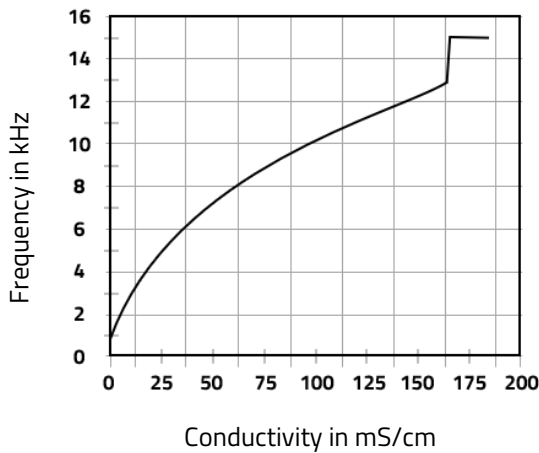


<b>Performance data</b>	Measurement range:	0.2 ... 150 mS/cm	
	Measurement error:	0.2 ... 1 mS/cm	(+20%/-10%)
		1 ... 150 mS/cm	(±5%) mS/cm
	Resolution:	0.2 ... 2 mS/cm	(3% of measured value)
		2 ... 150 mS/cm	(< 1% of measured value)
	Reproducibility:	0.2 ... 2 mS/cm	(> 99% of measured value)
		2 ... 150 mS/cm	(> 97% of measured value)
	Frequency range:	0.44 ... 12.4 kHz	
Calibration:	Not required by the customer (factory calibration)		
Sensor type:	Active (with integrated evaluation electronics)		
<b>Electrical data</b>	Supply voltage:	5 ... 24 V DC	
	Max. input current:	30 mA	
<b>Mechanical data</b>	Weight:	130 g	
	Installation hole diameter:	Ø 17 mm	
	Max. wall thickness:	5.2 mm	
	Maximum cable length:	Frequency mode	20 m
		Data mode	100 m
	Plug connector:	IP 65	
	Material:	Polypropylene	
Max. tightening torque:	2 Nm (plastic nut G 3/8")		

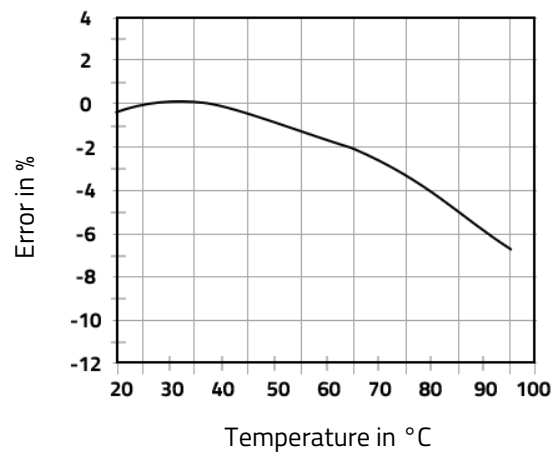
## Ambient conditions

Ambient temperature range:	+10 ... +45 °C
Temperature range of medium:	+10 ... +80 °C
Environmental stress:	Conforms to DIN EN 60068-2-38
Compatibility:	Low-concentration acids, alkalis and chlorine products

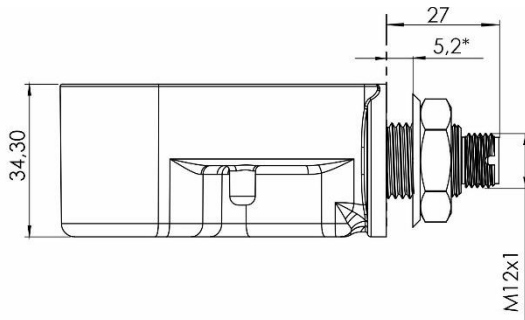
### Characteristic curve ILFS 02 (frequency mode)



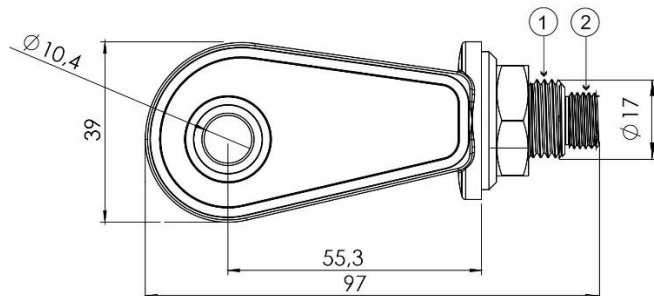
### Measurement error against temperature



## Dimensions



\* Max. tank wall thickness



- 1) Mounting thread
- 2) Angled plug thread

## Products

Art. no.	Sensor	Cable
15019	ILFS 02 (frequency mode) with angled plug	5 m Signal cable
1001326	ILFS 02 (frequency mode) with angled plug	10 m Signal cable
1001134	ILFS 02 (frequency mode) with angled plug	15 m Signal cable
1001328	ILFS 02 (frequency mode) with angled plug	20 m Signal cable
1000705	ILFS 02 (data mode) with angled plug	5 m Signal cable
1001324	ILFS 02 (data mode) with angled plug	10 m Signal cable
1001133	ILFS 02 (data mode) with angled plug	15 m Signal cable
1001323	ILFS 02 (data mode) with angled plug	20 m Signal cable
1001975	ILFS 02-AK (frequency mode)	5 m Cable (moulded on)
15023	ILFS 02-AK (data mode)	5 m Cable (moulded on)