

Technical data sheet

CTLOG 2013 sensor coupling module

The CTLOG 2013 sensor coupling module connects water meters, conductivity sensors and temperature sensors to the following SAIER devices:

- Concept 2806pdg
- Concept 2906pdg
- DSPset 2602
- DC 2418



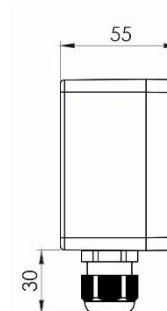
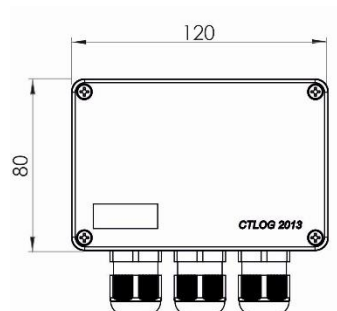
Electrical data

Operating voltage:	12 ... 24 V DC
Input power:	0.15 W
Bus:	RS-485 (SD bus)

Mechanical data

Dimensions:	120 x 80 x 55 mm
Weight:	0,2 kg
Protection class:	IP 65
Ambient temperature range:	0 ... +50 °C

Dimensions



Product

Art. no.	Designation
16505	CTLOG 2013 sensor coupling module